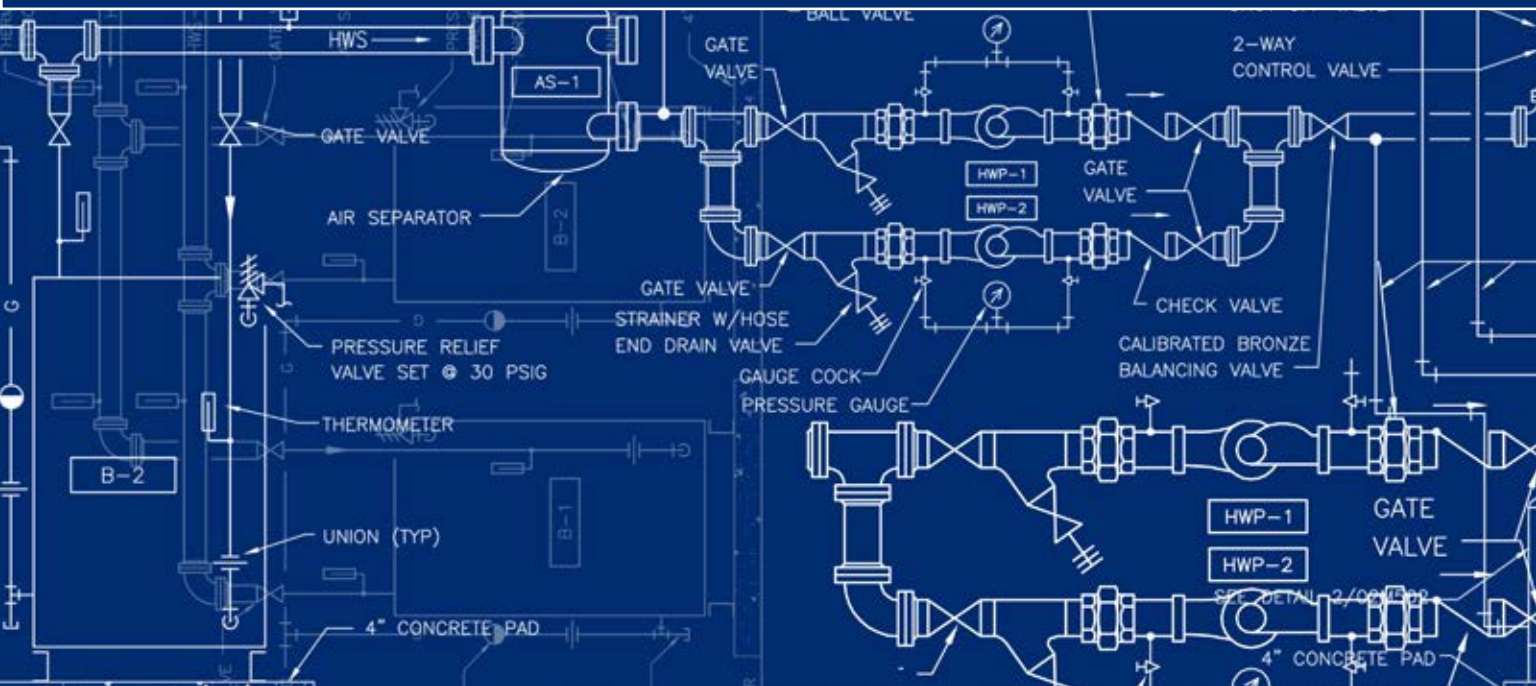
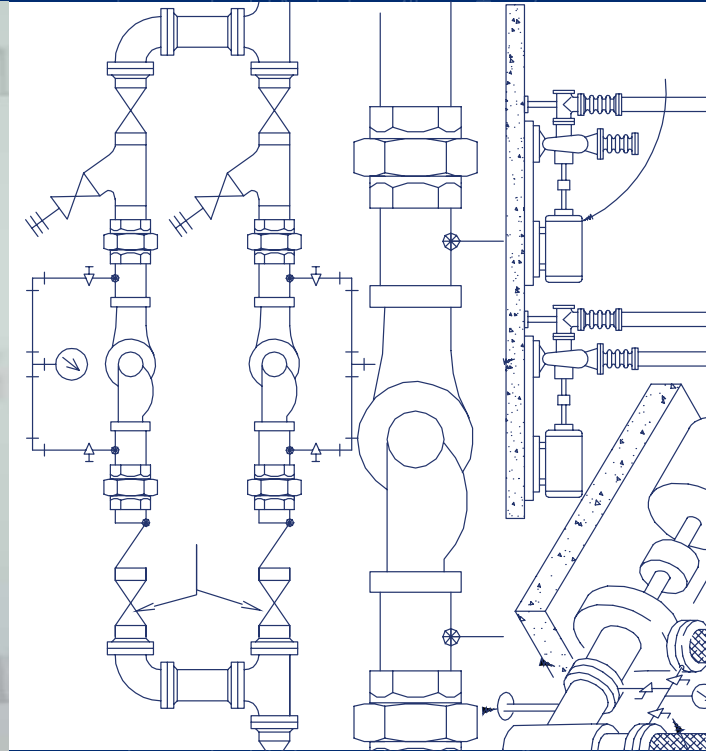


STUDENT MENTORING PROGRAM SCHOLARSHIP



"The SAME student mentoring program has helped me to understand how far my education in engineering can take me. I would like to extend a great amount of thanks to the scholarship committee for this opportunity to help me achieve my engineering dreams. Thank you."

-Meagan Kurlmel
Scholarship recipient 2011-2015



"I'd like to thank the scholarship committee for the SAME student mentoring program for aiding me in pursuing my dream to be a civil engineer. I know that their assistance and the guidance of my mentor will greatly help me through college and provide a firm footing for a later career."

-David Johansen
Scholarship recipient 2012-2015

ABOUT SAME

The Society of American Military Engineers (SAME) is the premier professional military engineering association in the United States with over 27,000 global members. Its mission is to promote and facilitate engineering support for national security by developing and enhancing relationships and competencies among uniformed services, public- and private-sector engineers and related professionals, and by developing future engineers through outreach and mentoring.

The Omaha Post was established in 1940, and its membership now stands at 79 Sustaining Member firms and more than 500 individual members. The Omaha post is proud to be an industry focal point by offering education and networking opportunities for our members as well as be an active participant in the community to develop our future industry leaders.

STUDENT MENTORING PROGRAM (SMP) SCHOLARSHIP DETAILS

These Omaha Post Scholarships shall be offered annually, one to a graduating High School senior participating in the Omaha Post's Student Mentoring Program (SMP) or similar Post sponsored activities and the other four to current college students enrolled in an engineering/architectural program or a related field at any accredited university/college.

- Incoming freshman and sophomores will receive \$1,000
- Scholarships for students entering their junior, senior or fifth year of college shall be \$2,000
- Scholarship can be renewed annually for up to \$8,000 total award

MENTORING BENEFIT

The SMP Scholarship Awardee will be assigned to a dedicated SAME Fellow Mentor that will follow them through all 4-5 years of schooling. The Scholarship Awardee is required to meet with their mentor at least once a year in order to renew the scholarship each year.



